



SJ66 T

TELESCOPIC BOOM

STANDARD FEATURES

- Drivable at full height
- Axle based 4WD
- “No Spin” rear differential and limited slip front differential
- Oscillating axle
- Wet disc SAHR brakes (front and rear axle)
- 55.2 kw (74 hp) diesel engine
- Swing out engine tray
- Swing up fiberglass cowlings
- 360° continuous turret rotation
- Direction sensing drive and steer controls
- Proportional controls
- Relay based control system
- Colour coded and numbered wiring system
- 50% gradeability
- Grip lug foam-filled tyres
- Wiring for AC outlet on platform
- Tilt alarm with drive cut-out
- Overload sensing system
- Operator horn
- Modular platform railing system
- Tri-entry sliding mid-rail
- Lanyard attachment points
- Tie down/lifting lugs

ACCESSORIES AND OPTIONS

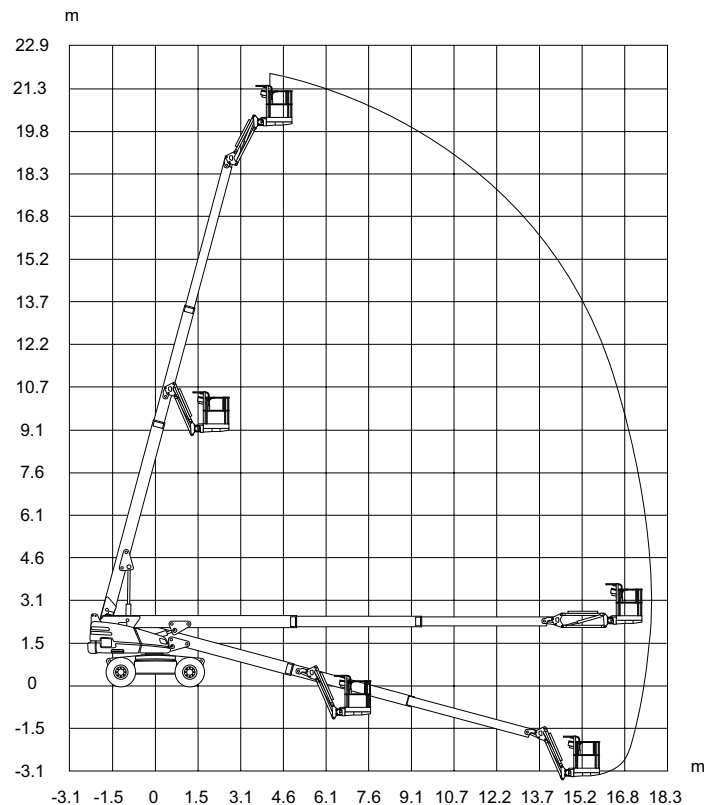
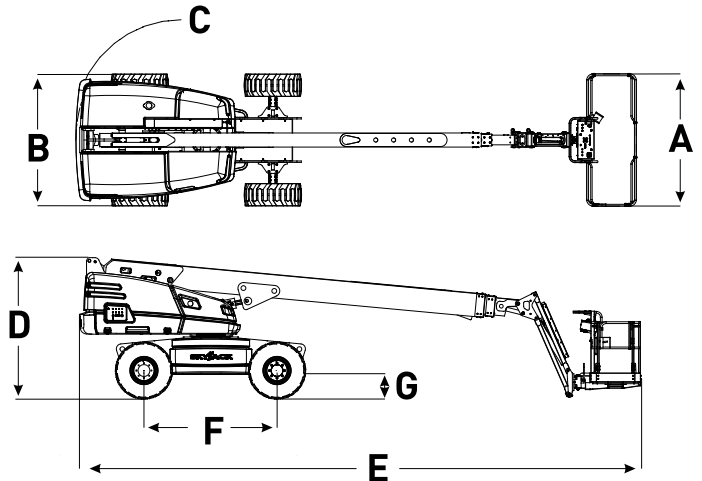
- 0.91 x 2.44 m Platform
- 3.5kW generator (Includes hydraulic oil cooler)
- Hydraulic oil cooler
- Flashing light
- 1/2” airline to platform
- All motion alarm
- Rear Gate
- Control box cover
- Auxiliary top rail (0.91 x 2.44 m platform only)
- Secondary Guarding (electrical or mechanical)

* Capacities, and machine weights may differ when options are added.

SJ66 T TELESCOPIC BOOM

Dimensions	SJ66T
Work Height	22.12 m
Platform Height	20.12 m
Horizontal Reach	17.37 m
A Platform Size	0.91 x 1.83 m
B Stowed Width	2.44 m
C Tailswing	1.19 m
D Stowed Height	2.57 m
E Stowed Length	10.34 m
F Wheelbase	2.44 m
G Ground Clearance	0.41 m

Specifications	SJ66T
Rotation	360° Continuous
Platform Rotation	170°
Jib Length	1.52 m
Jib Range +/-	+65° / -60°
Weight	12,800 kg
Gradeability	50%
Turning Radius (Inside)	2.82 m
Turning Radius (Outside)	5.05 m
Axle Oscillation	7.62 cm
Drive Speed (High speed)	7.2 km/h
Capacity	227 kg
Local Floor Load (With Rated Load)	1,140 kPa
Overall Floor Load (With Rated Load)	17.8 kPa
Maximum # of Persons	2
Tyre Type	Grip lug foam-filled
Tyre Size	15 x 19.5
Diesel Engine	55.2 kw (74 HP)
Fuel Tank Capacity	170 L
Hydraulic Reservoir	227 L



SJ66 T Work Height

Skyjack UK

Unit 1, Maes-y-Clawdd
Maesbury Road Industrial Estate
Oswestry, Shropshire, SY10 8NN
Tel: +44 1691 676235
Fax: +44 1691 676239
Email: info@skyjackeurope.co.uk

Skyjack SAS (France)

ZI Le Clairin
69700 Saint Romain en Gier
France
Tel: +33 (0) 4 78 73 53 32
Tel: +33 (0) 4 78 73 05 68
Fax: +33 (0) 4 78 56 52 42

Skyjack Hebebühnen GmbH (Germany)

Därmanbusch 2a
D-58456 Witten
Tel: +49 (0) 2302 20 26 909
Fax: +49 (0) 2302 20 25 671

Skyjack AB (Sweden)

Agnesbergsvägen 28
424 38 Agnesberg
Sweden
Tel: +46 (0) 31 21 22 45
Fax: +46 (0) 31 787 65 10

www.skyjack.com